

SNAP PAC Racks

Features

- ▶ Compatible with all SNAP PAC brains and R-series controllers, including Wired+Wireless™ models
- ▶ Secure mounting for SNAP I/O modules plus a SNAP brain or on-the-rack SNAP PAC controller
- ▶ Analog, digital, and serial modules on the same rack
- ▶ Panel or DIN-rail mounting
- ▶ Modules snap into place
- ▶ Factory Mutual-approved versions available

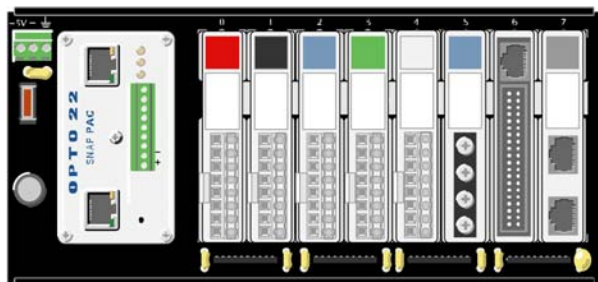
Description

SNAP PAC I/O mounting racks are designed to hold an intelligent SNAP I/O processor—a SNAP PAC EB-series or SB-series brain or a SNAP PAC R-series on-the-rack controller—and several I/O modules. Both standard wired controllers and brains and Wired+Wireless models are mounted on these racks.

Since SNAP analog, digital, and serial I/O modules all have the same footprint, customers using SNAP PAC racks can mix all these modules on the same I/O mounting rack. Field devices are wired directly to the top-mounted connectors on the modules plugged into each rack, or through breakout boards when additional wiring space is required. (See form 1756, the *SNAP TEX Cables and Breakout Boards Data Sheet*, for more information.)

SNAP PAC racks can accommodate up to 4, 8, 12, or 16 I/O modules. Part numbers ending in -FM are Factory Mutual approved.

The module and rack design allows modules to simply “snap” on the mounting rack.



SNAP-PAC-RCK8 (8-Module Position I/O Mounting Rack)

Shown with SNAP-PAC-R1 controller and SNAP modules (all purchased separately)

SNAP PAC racks use a retention rail locking system that holds modules securely to the rack. Normally, a hold-down screw is not required. However, for applications that require additional



SNAP-PAC-RCK12

module security, SNAP PAC racks have provisions for two 4–40 by ½-inch standard machine screws to hold each module in position.

All SNAP PAC racks offer panel mounting and the option of DIN-rail mounting. DIN-rail adapter part numbers are shown in the table below. For more information, see form 1772, the *SNAP TEX Mounting/Wiring Tools and Spare Parts Data Sheet*.

SNAP PAC racks require a 5 VDC power source. One power supply can usually power the rack, the I/O processor (controller or brain), and all modules on the rack. See form 1120, the *SNAP Power Supplies Data Sheet*, to choose a power supply.

Part Numbers

Part	Description
SNAP-PAC-RCK4	4-module SNAP PAC rack
SNAP-PAC-RCK4-FM	4-module SNAP PAC rack, Factory Mutual approved
SNAP-PAC-RCK8	8-module SNAP PAC rack
SNAP-PAC-RCK8-FM	8-module SNAP PAC rack, Factory Mutual approved
SNAP-PAC-RCK12	12-module SNAP PAC rack
SNAP-PAC-RCK12-FM	12-module SNAP PAC rack, Factory Mutual approved
SNAP-PAC-RCK16	16-module SNAP PAC rack
SNAP-PAC-RCK16-FM	16-module SNAP PAC rack, Factory Mutual approved
SNAP-FUSE7.5AB	7.5-amp fuse, 25 pack
SNAP-TEX-DRC10	SNAP rack DIN-rail adapter clip, 10-pack
SNAP-TEX-REC10W	Wide end cap for SNAP PAC racks DIN-rail assemblies, 10-pack
SNAP-TEX-REC10N	Narrow end cap for SNAP PAC racks DIN-rail assemblies, 10-pack

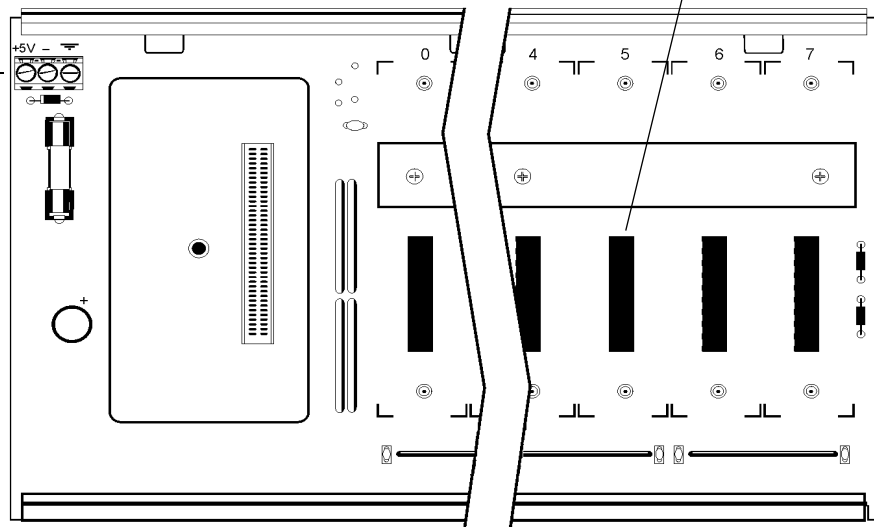
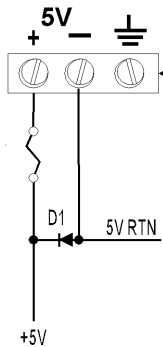
Specifications

Power ¹ Requirements	5.0 to 5.2 VDC @ 4.2 Amps max	
I/O Processor ² Compatibility	SNAP-PAC-R1 SNAP-PAC-R2 SNAP-PAC-EB1 SNAP-PAC-EB2 SNAP-PAC-SB1 SNAP-PAC-SB2 SNAP-PAC-R1-W	SNAP-PAC-R2-W SNAP-PAC-EB1-W SNAP-PAC-EB2-W SNAP-PAC-R1-FM SNAP-PAC-R2-FM SNAP-PAC-EB1-FM SNAP-PAC-EB2-FM
Replacement Fuse	SNAP-FUSE7.5AB or Littelfuse 297 07.5	
Rack Power Terminals Wire Size	22 to 14 AWG	
Operating Temperature	-20 to 70 °C	
Storage Temperature	-40 to 85 °C	
Relative Humidity	95%, non-condensing	
Agency Approvals	Non -FM models: UL, CE, RoHS, DFARS -FM models: FM, CE, RoHS, DFARS SNAP-PAC-RCK4-FM and SNAP-PAC-RCK12-FM: ATEX	
Warranty	30 months from date of manufacture	

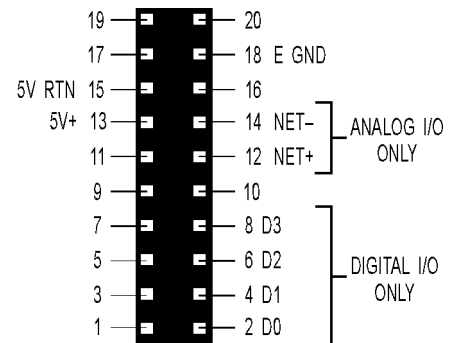
¹ Power requirements shown are for a rack, a processor, and a full load of analog modules. Power requirements for SNAP serial and high-density modules are higher. See module data sheets.

² "I/O Processor" means a SNAP PAC brain or SNAP PAC on-the-rack controller. For compatibility with legacy Opto 22 products, see form #1693, *Legacy and Current Product Comparison and Compatibility Charts*.

Power Schematic



Module Mating Connector Pinout (female)



Notes on Grounding

Pin 18 E GND on each module (see diagram above right) is connected to the rack's GND. Module hold-down screws are also connected to the rack's GND.

The brain or rack-mounted controller is connected to the rack's GND through its center hold-down screw.

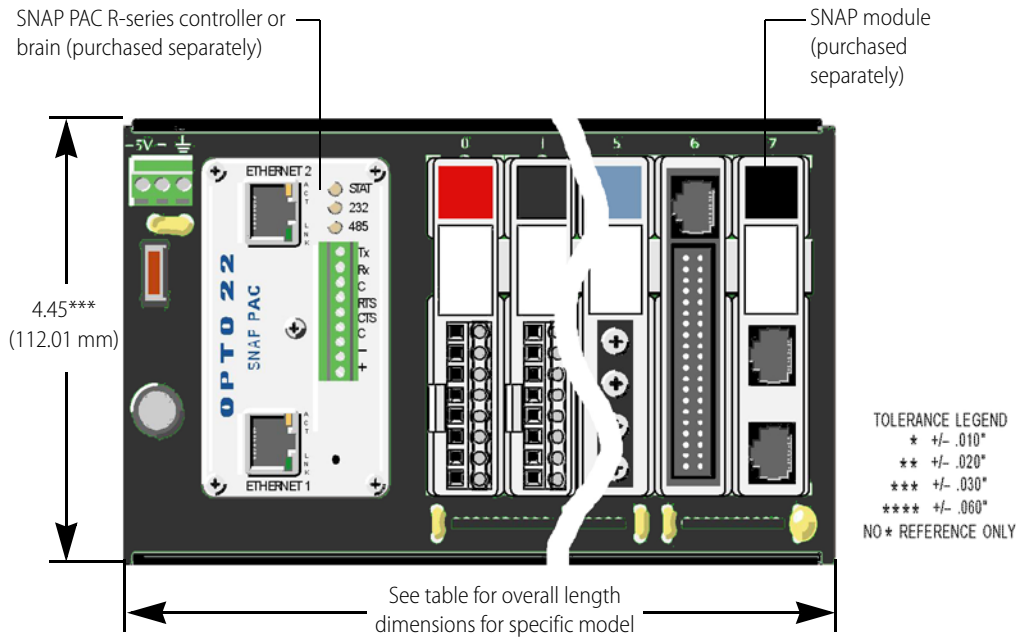
WARNING: EXPLOSION HAZARD. DO NOT DISCONNECT WHILE CIRCUIT IS LIVE UNLESS AREA IS KNOWN TO BE NON-HAZARDOUS.

AVERTISSEMENT: RISQUE D'EXPLOSION. NE PAS DÉBRANCHER TANT QUE LE CIRCUIT EST SOUS TENSION, À MOINS QU'IL NE S'AGISSE D'UN EMPLACEMENT NON DANGEREUX.

SNAP PAC Racks

Dimensional Drawings

Overall Dimensions

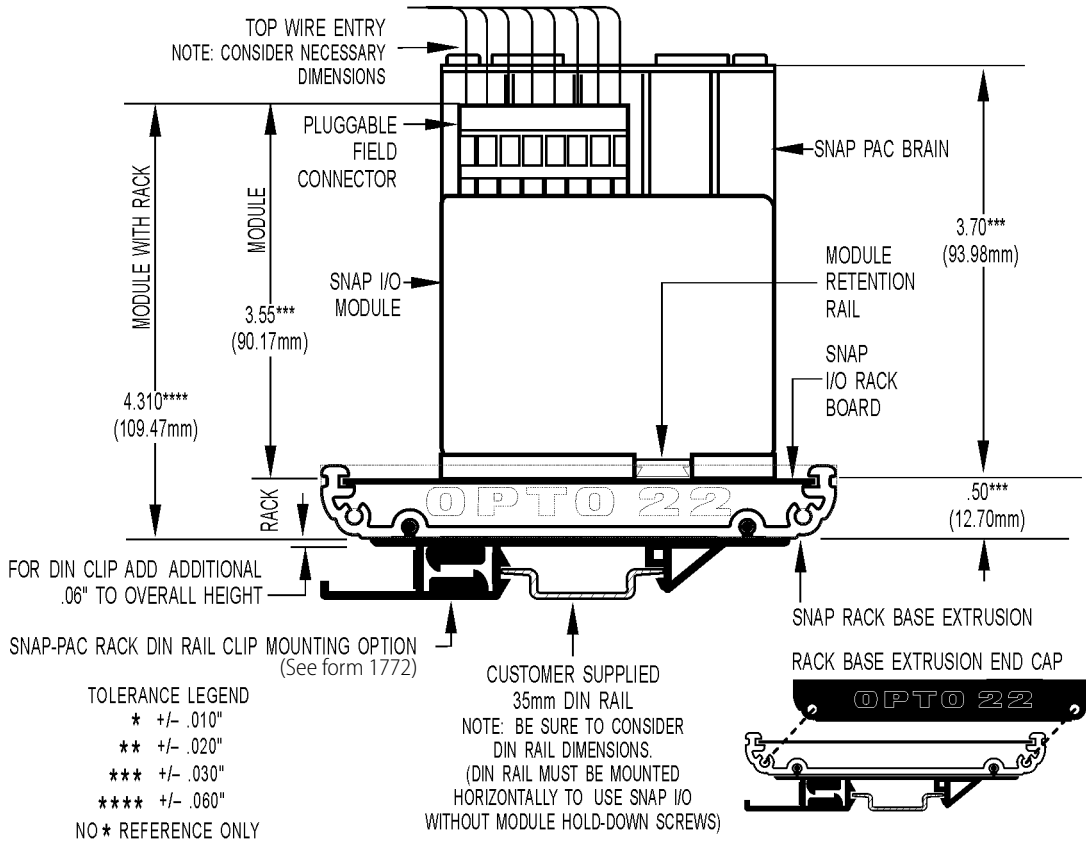


Overall Length Dimensions

Part Number	Description	Width (inches)	Width (mm)	Length (inches)	Length (mm)
SNAP-PAC-RCK4 SNAP-PAC-RCK4-FM	4-module rack	4.45	112.01	6.25	158.75
SNAP-PAC-RCK8 SNAP-PAC-RCK8-FM	8-module rack	4.45	112.01	9.25	234.95
SNAP-PAC-RCK12 SNAP-PAC-RCK12-FM	12-module rack	4.45	112.01	12.25	311.15
SNAP-PAC-RCK16 SNAP-PAC-RCK16-FM	16-module rack	4.45	112.01	15.25	387.35

Dimensional Drawings (continued)

Right Side View with DIN-Rail Option Installed



For more information on DIN-rail mounting kits, see form 1772, the *SNAP TEX Mounting/Wiring Tools and Spare Parts Data Sheet*.

SNAP PAC Racks

Mounting the Extrusion onto a Panel

NOTE: If you are not using hold-down screws, the SNAP PAC rack assembly should be mounted horizontally.

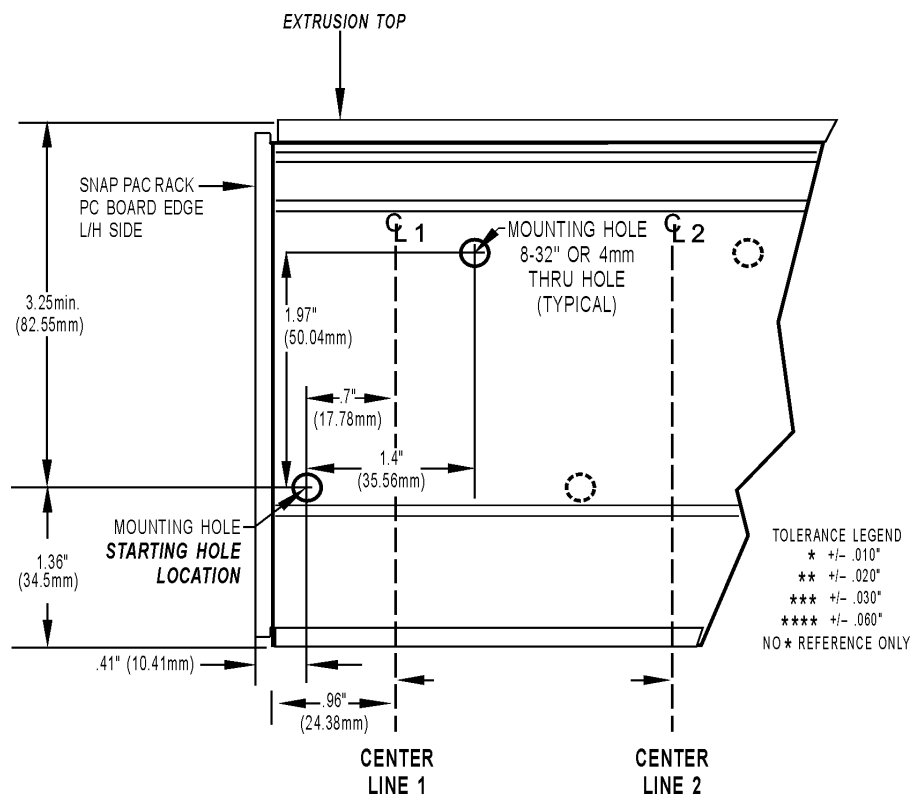
Use the following steps to mount a rack onto a panel. For DIN-rail mounting, see form #1772, the *SNAP TEX Mounting/Wiring and Spare Parts Data Sheet*.

Preferred Method: Template

(Product on site)

1. Use SNAP PAC rack mounting extrusion as template.
2. Use the diagram below to determine required product and option clearances.

Typical Plain View of SNAP Mounting Extrusion



Center-to-Center Length (All Models)

Part Number	Description	Center-to-Center Length	Number of Center Positions
SNAP-PAC-RCK4 (or -FM)	4-module rack	4.02 in.	2
SNAP-PAC-RCK8 (or -FM)	8-module rack	3.51 in.	3
SNAP-PAC-RCK12 (or -FM)	12-module rack	5.01 in.	3
SNAP-PAC-RCK16 (or -FM)	16-module rack	4.34 in.	4

Alternate Method: Prefabrication of Panels

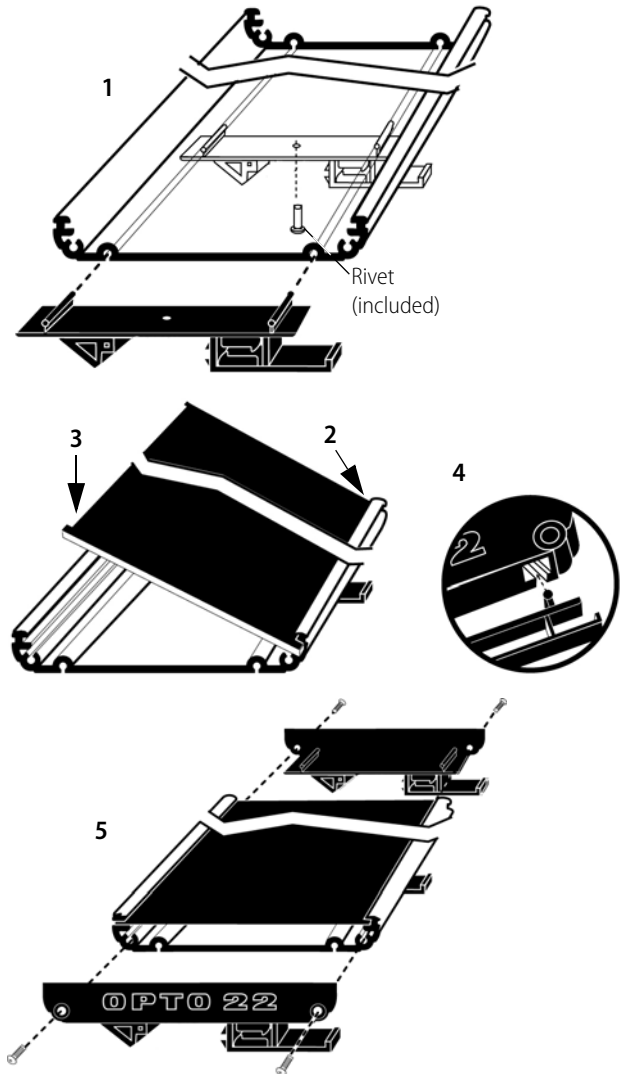
(No product on site)

Mounting holes are in sets of two, located on lower left and upper right with respect to a center line (CL).

1. Using the diagram below, determine CL1 mounting hole positions. (CL1 is located on the left side of all SNAP PAC rack mounting extrusions.)
2. Use the center-to-center length specification table below to determine the offset between center lines and the number of center line positions for each model.
3. Repeat the process for each center line position.

Assembling the Circuit Board, Rack Extrusion, and Din Clips

1. (This step only for racks with three or more clips.) Slide one DIN clip to the middle position and secure with the rivet provided. For racks with four clips, add an additional middle clip.
2. Insert one edge of the circuit board into the extrusion.
3. Push down hard on the other edge to snap the board into place.
4. Attach one DIN clip to each end cap using the slots in the end caps as shown.
5. Using the screws provided, secure an end cap and DIN clip assembly to each end of the extrusion.



Removing the Circuit Board from the Rack Extrusion

If end caps are present, remove them. Then insert a flathead screwdriver in one of the circuit board release notches and pry up the board. Repeat in the other release notches until the board pops out of the extrusion.

Attaching the Adapter Clip to a DIN Rail

1. Hook the DIN-rail clip over the top of the DIN rail.
2. Using a screwdriver, pry open the DIN-rail clip flange at the bottom of the clip. Push the clip toward the DIN rail.
3. Snap the DIN-rail clip into place.

